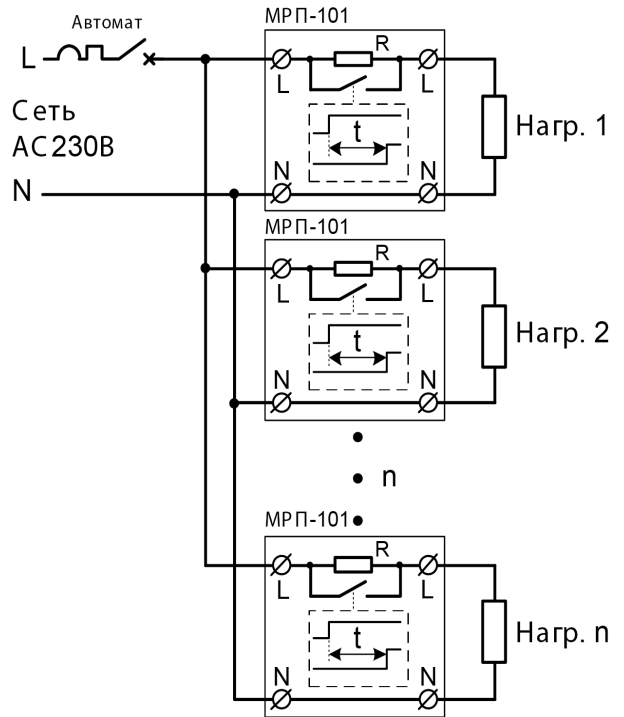
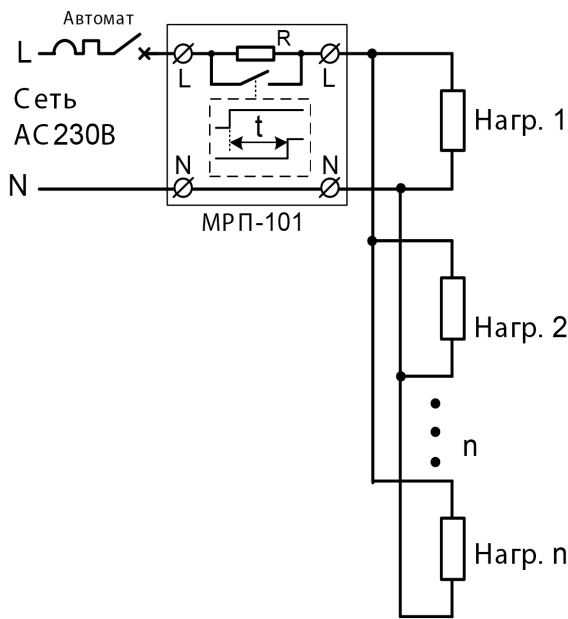
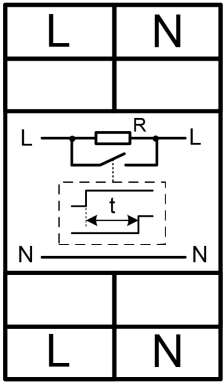






Ko\_fu ih^dexq\_gby

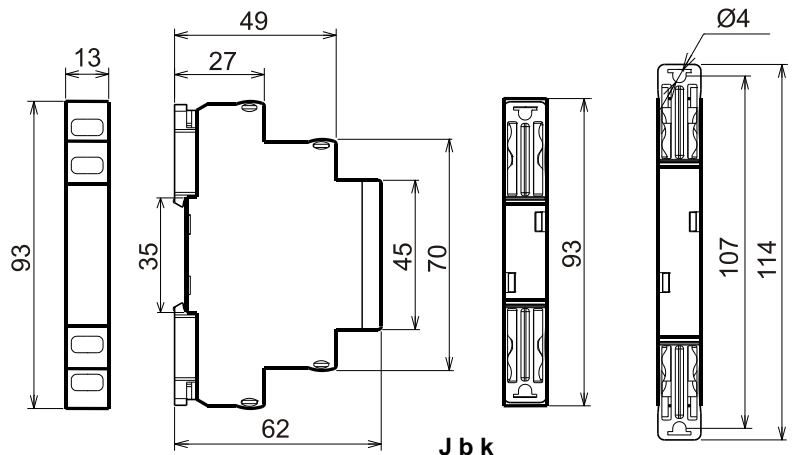


Jbk

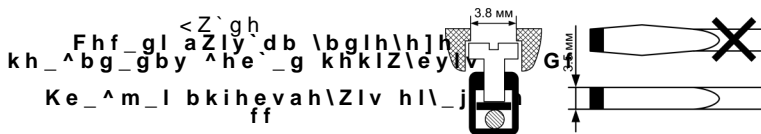
Dhfe\_dl ihklZ\db
J\_e\_ FJI & < MOE
Izkijl - wda
Djh[dZ - rl

Ijbf i aZibkb ^ey aZdZaZ
J\_e\_ FJI & < MOE
gZa\Zgb\_ ba^\_eby
gZijy`\_gb\_ iblZgby
MOE debfZlbq\_kdh\_ bkiheg\_gb\_

Table with 2 columns: Dh^u ^ey aZdZaZ, gZbf\_gh\Zgb\_, FJI \$& < MOE



Jbk



Ijhbah^bl\_ev hkIz\ey\_l aZ kh[hc ijZ\h \ghkblv baf\_g\_gby \ gZa\Zgby dhgkljmdpbx dhfe\_dIZp
ijb wlhf nmgdpbhgZevgu\_ oZjZdl\_jbklbdb ba^\_eby

G\_ kh^\_j`bl ^jZ]hp\_ggu\_ f\_lZee

=:J:GLBCGU? H;YA:L?EVKL<:

=ZjZglbcguc kjhd ba^kpbz k fhf\_gIz i\_j^Zqb \_]h ihlj\_[bl\_ex ijh^Z`b ?keb ^ZIm i
\hafh`gh kjhd bkqbkkey\_lky k ^Zlu ba]hlh\e\_gby mdZaZgZ gZ miZdh\d\_
Hlf\_ldm h ijbzfd\_ dhgljhezj HLD ijhkIz\ey\_l gZ dhjimk\_ ba^\_eby \ \b^\_lj\_m]hevgh]h rl
lj\_l\_gabb g\_ ijbgbfZxlky ijb gZjmr\_gbb mkeh\bc wdkiemZIZpbb ijb f\_oZgbq\_kdbo ih\j\_
gZjmr\_gbb p\_ehklghklb dhgljhevghc gZde\_cdb ijb \_z gZebqbb
<u\_a^gh\_ ]ZjZglbcgh\_ h[kem`b\Zgb\_ g\_ hkms\_kl\ey\_lky
>ZIZ ijh^Z`bBBBBBBBBBBBBBBBBBBBBBBBBBBBBBBBBBBBBBBBBBBBBBBBBBBBBBBBBBBBB
azihegy\_lky ihlj\_[bl\_e\_f ijb hnhjfe\_gbb ij\_l\_gabb

